



Planetary Mixers Planetary Mixer, 10 Lt. - Electronic

ITEM # _____

MODEL # _____

NAME # _____

SIS # _____

AIA # _____



600142 (DXBE10B)

10 Lt planetary mixer, bowl detection device, electronic speed variation. Equipped with spiral hook, paddle and whisk. Equipped with highly resistant safety screen - BPA free

Short Form Specification

Item No. _____

Suitable for all kneading, blending and whipping operations. Body, feet and 10 litre capacity bowl in stainless steel. One piece alloy head holding the planetary mechanism and the drive. Water proof (IP55) and flat touch button control panel with 60 min. timer. Removable/transparent solid safety screen - made of a bisphenol-A free (BPA) copolyester. Powerful asynchronous motor (750 W) with electronic speed variation adjusted by a potentiometer (10 speed levels from 26 to 180 rpm). Bowl detection device allows the mixer to switch on only when the bowl and the safety screen are properly installed and positioned together. Adjustable feet for stability. Supplied with 3 tools: spiral hook, paddle and whisk.

Main Features

- Professional beater mixer that provides all the basic mixer functions: kneading of all sort of pastes, mixing of semi-liquid products, emulsions and various sauces.
- Delivered with:
-Spiral Hook, Paddle, Wire Whisk and Mixing Bowl for 10 Lt
- Electronic speed variator.
- Removable safety screen activates the raising and lowering of the bowl.
- Maximum capacity (flour, with 60% of hydration) 3.5 kg, suitable for 10-50 meals per service.
- Bowl detection device allows the mixer to switch on only when the bowl and the solid safety screen are properly installed and positioned together.

Construction

- Compact design for table top installations.
- Body entirely in stainless steel.
- Sturdy construction with mechanically welded strong metal frame.
- AISI 302 stainless steel bowl - 10 Lt. capacity.
- Asynchronous motor with high start-up torque.
- Planetary movement based on self lubricating gears, eliminating any risk of leaks.
- 10 speeds from 26 to 180 rpm (planetary movement), to adjust to the selected tool and mixture hardness.
- Water protected planetary system (IP55 electrical controls, IP34 overall machine).
- Power: 750 watts.
- Adjustable feet to perfect stability.

Included Accessories

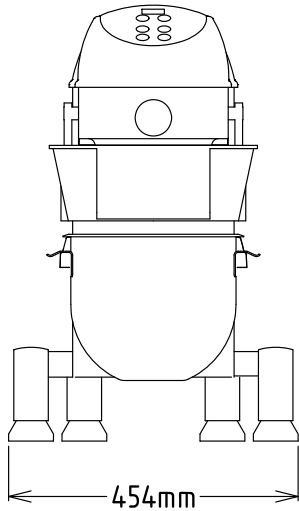
- | | |
|--------------------------|------------|
| • 1 of Paddle 10 Lt | PNC 653267 |
| • 1 of Spiral Hook 10 Lt | PNC 653268 |
| • 1 of Whisk 10 Lt | PNC 653269 |
| • 1 of Bowl 10 Lt | PNC 653276 |

Optional Accessories

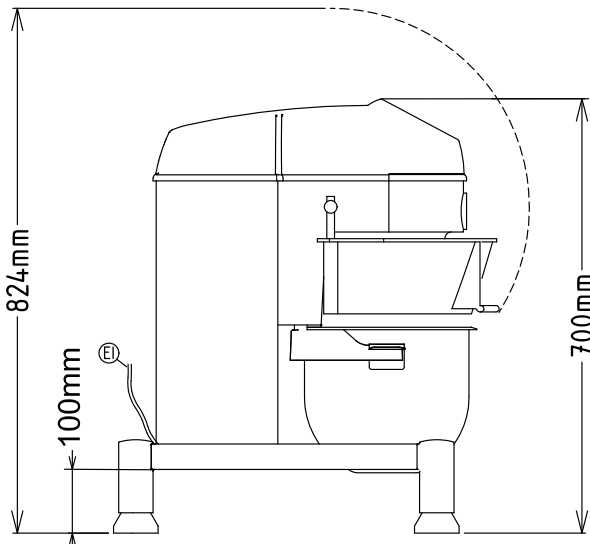
- | | | |
|---------------------|------------|--------------------------|
| • Paddle 10 Lt | PNC 653267 | <input type="checkbox"/> |
| • Spiral Hook 10 Lt | PNC 653268 | <input type="checkbox"/> |
| • Whisk 10 Lt | PNC 653269 | <input type="checkbox"/> |
| • Bowl 10 Lt | PNC 653276 | <input type="checkbox"/> |

APPROVAL: _____

Front

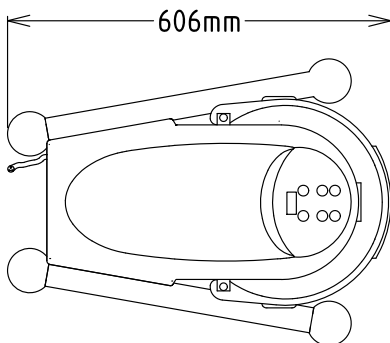


Side



EI = Electrical inlet (power)

Top



Electric

Supply voltage:

600142 (DXBE10B) 200-240 V/1N ph/50/60 Hz

Electrical power max.:

0.75 kW

Total Watts:

0.75 kW

Capacity:

Performance (up to):

3.5 kg/Cycle

Capacity:

ISO 9001; ISO 14001 litres

Key Information:

External dimensions,

Width:

454 mm

External dimensions,

Depth:

606 mm

External dimensions,

Height:

700 mm

Shipping weight:

48 kg

Net weight (kg):

37

Cold water paste:

3.5 kg with Spiral hook

Egg whites:

18 with Whisk